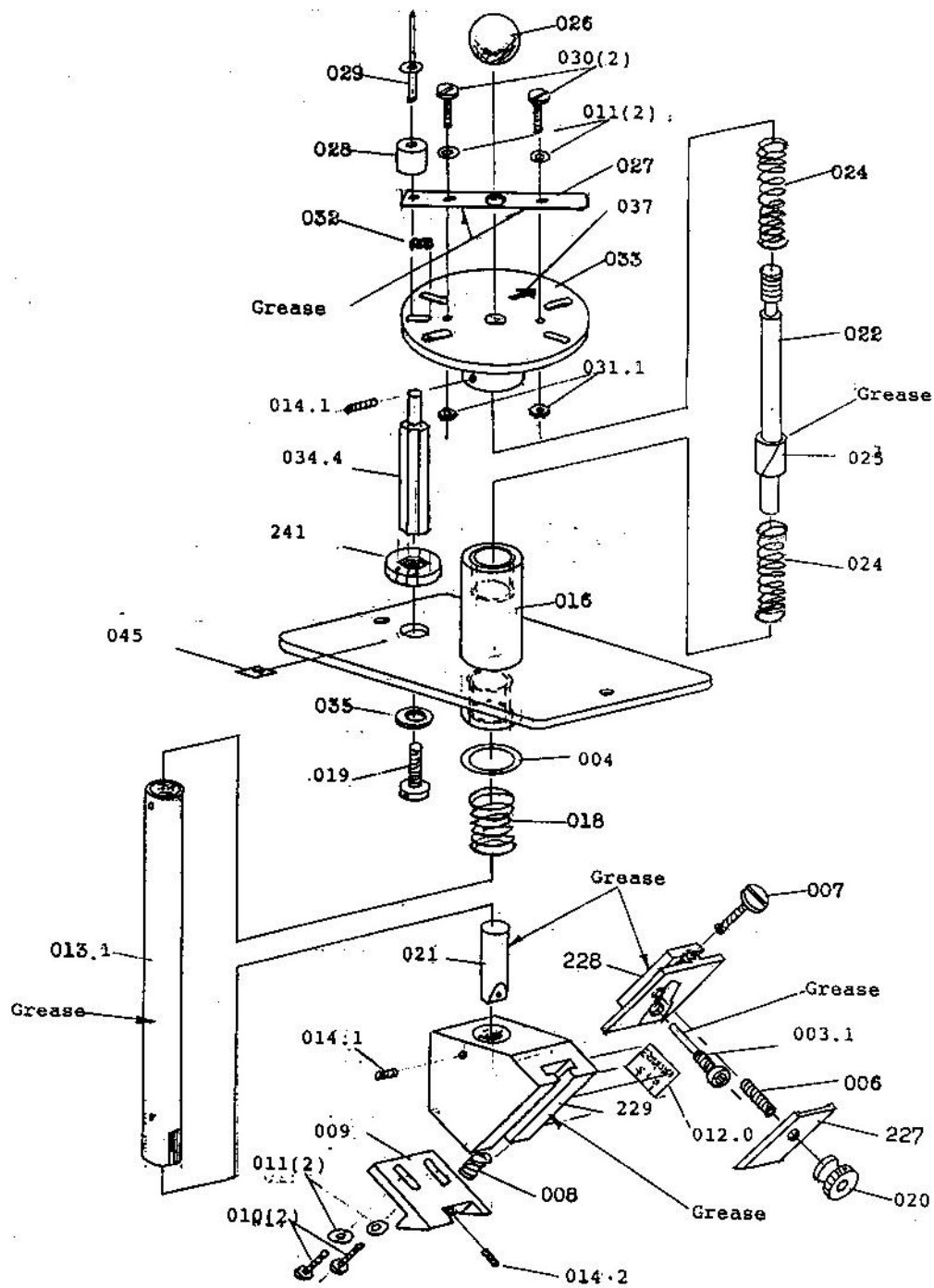


SPEED-MAT
RECTANGLE CUTTER
45° KNIFE HEAD



003.1	Drive Pin 45°	016	Bearing Housing	030	Screw
004	Washer	018	Spring	031.1	Locknut
006	Screw	019	Screw	032	Spring
007	Screw	020	Nut	033	Index Handle
008	Spring	021	Lower Push Rod 45	034	Index Pin
009	Pressure Foot	022	Upper Push Rod	035	Washer
010	Screw	024	Spring	037	Index Pointer Label
011	Washer	025	Guide Sleeve	045	Angle Label
012	Thickness Label	026	Knob	027	Knife Clamp
013.1	Bearing Tube 45	027	Detent Plate	028	Knife Guide
014.1	Set Screw	029	Rivet	029	Knife Head (45°)
014.2	Set Screw (Blade)			241	Index Washer